

MODERN 3020

Instant Hot Water Faucet FH3020

FEATURES:

- Hot only faucet – dispenses near-boiling water
- For use with an InSinkErator instant hot water tank and filtration system (sold separately)
- Self-closing hot valve for automatic shut off
- Handle moves forward to avoid hitting backsplash
- Spout swivels 360° for convenience

MATERIAL:

- Reverse osmosis certified and compatible per NSF/ANSI 58
- Lead-free certified and tested per NSF 61, Section 9
- Solid brass construction
- Corrosion resistant ceramic disc valve

FINISHES:

Chrome • Stainless Steel • Arctic Steel • Matte Black
Brushed Bronze • Polished Nickel

WARRANTY:

We Come To You® 5-Year In-Home Limited Warranty.
Covers parts and labor.

The complete InSinkErator warranty is included in the Care & Use booklet with each unit.

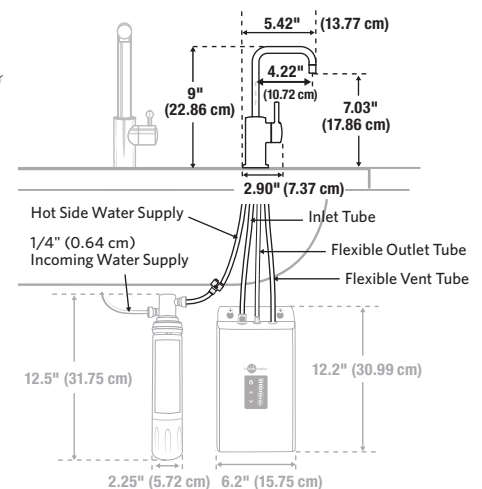
CERTIFICATIONS:

NSF/ANSI 372 • NSF/ANSI 58 • NSF/ANSI 42/53
NSF/ANSI 61 • ASME A112.18.1 • UPC Certified
ASSE 1023 • ADA Compliant

NSF/ANSI/CAN 61 Q ≤ 1



Supply Connection	1/4" (0.64 cm) Compression and/or push fitting
Required Sink Hole Diameter	1-3/8" (35 mm) Standard Sink Hole
Required Supply Pressure	25-80 psi (172-550 kPa or 1.7-5.5 bar)
Backsplash Clearance for Installation	Minimum 2" (5.08 cm) required from sink hole center to backsplash
Counter Thickness	Maximum of 3" (7.62 cm)
Shipping Weight	3.79 (1.72 kg)



USA: 1.800.558.5700 www.insinkerator.com
CA: 1.800.561.1700 www.insinkerator.ca

InSinkErator may make improvements and/or changes in the specifications at any time, in its sole discretion, without notice or obligation and further reserves the right to change or discontinue models.

®/TM © 2023 InSinkErator. All rights reserved.