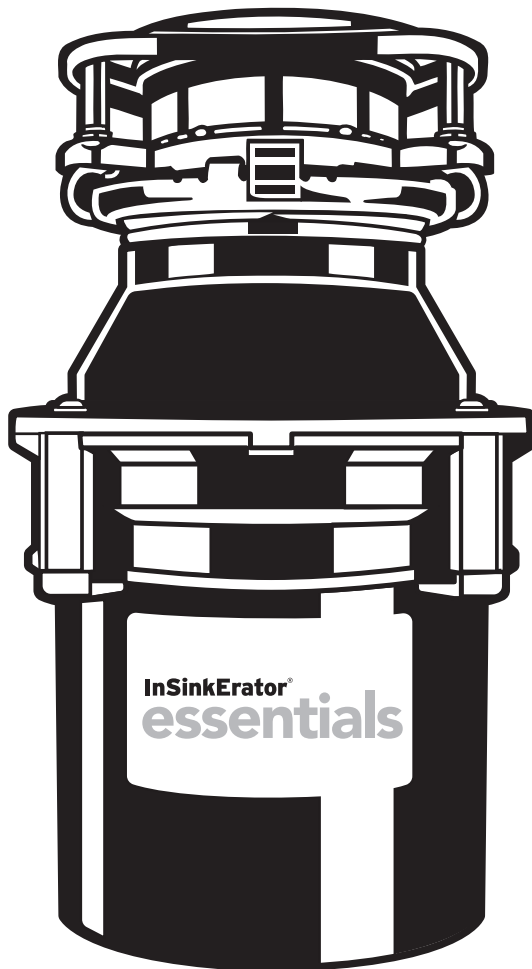


# InSinkErator® essentials



## ES30 & ES50 Food Waste Disposal



1-800-558-5700



262-233-2231

®/TM/© 2025 InSinkErator. All rights reserved.

### **⚠ DANGER**

indicates a hazardous situation which, if not avoided, will result in death or serious injury.

### **⚠ WARNING**

indicates a hazardous situation which, if not avoided, could result in death or serious injury.

### **⚠ CAUTION**

indicates a hazardous situation which, if not avoided, could result in minor or moderate injury.

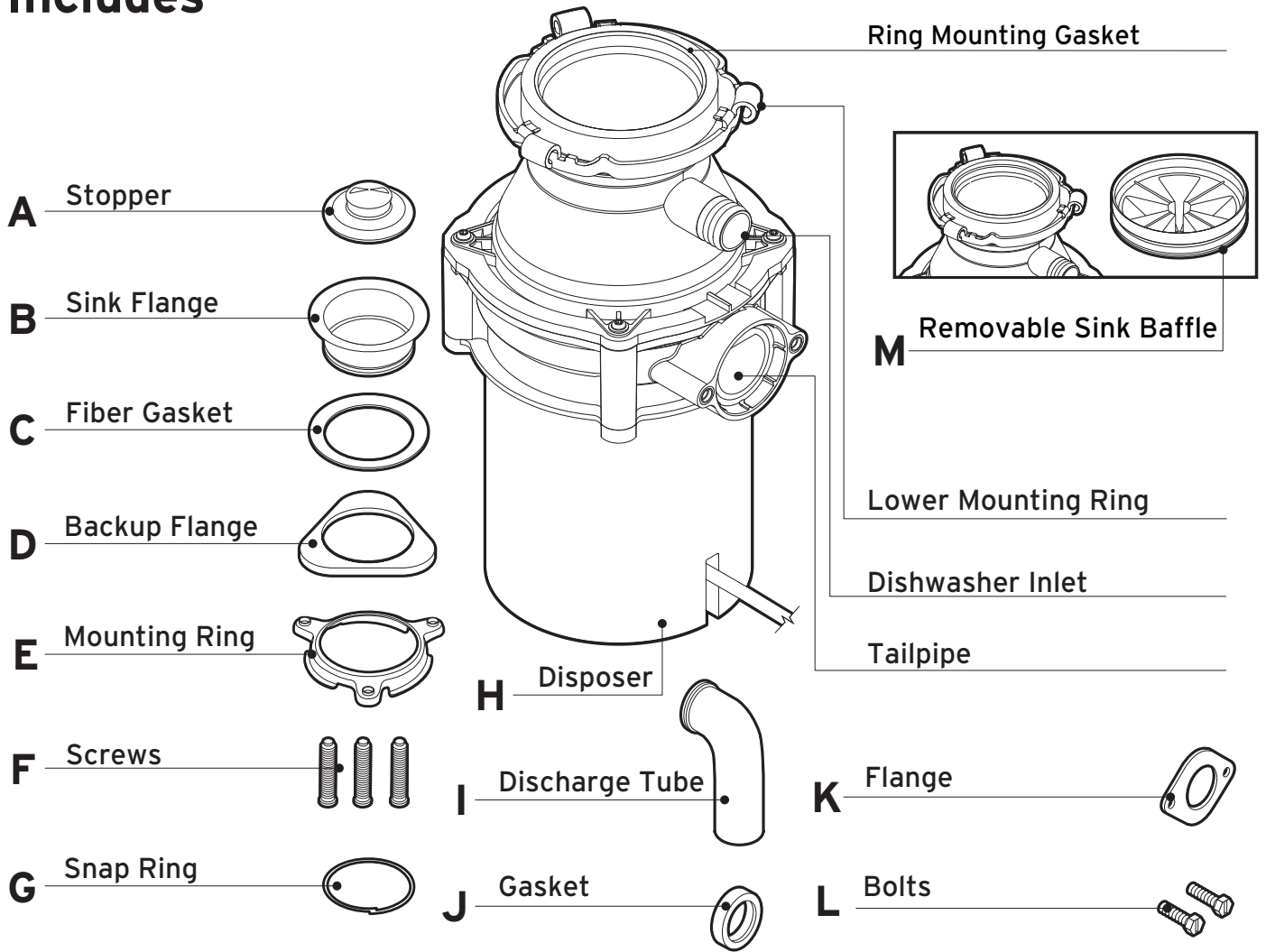
### **NOTICE**

is used to address practices not related to personal injury.

### **SAFETY INSTRUCTIONS**

(or equivalent) signs indicate specific safety-related instructions or procedures.

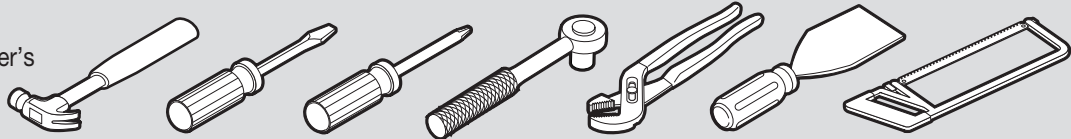
# Includes



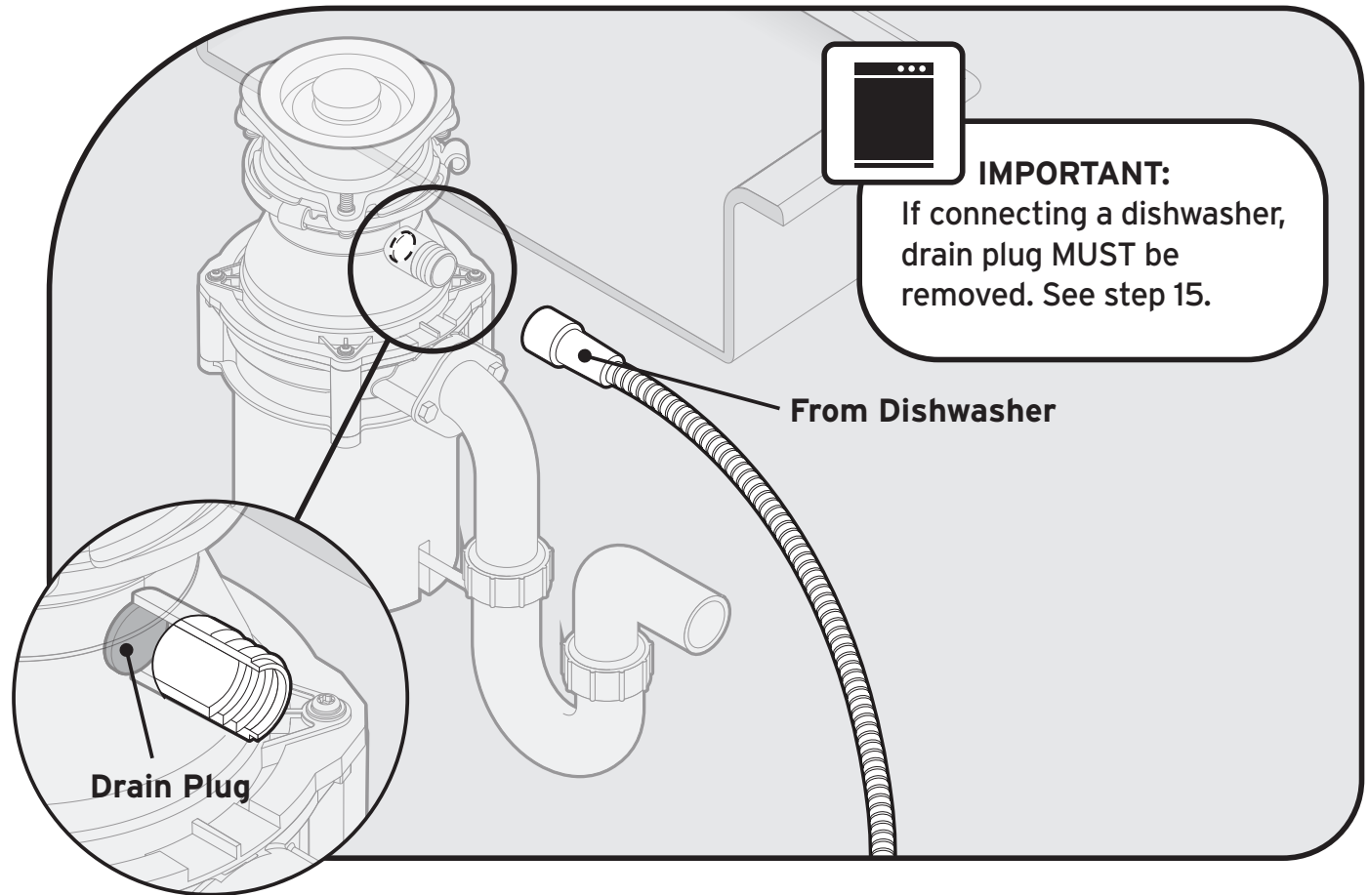
## Tools and Materials (Not Included)



Plumber's putty



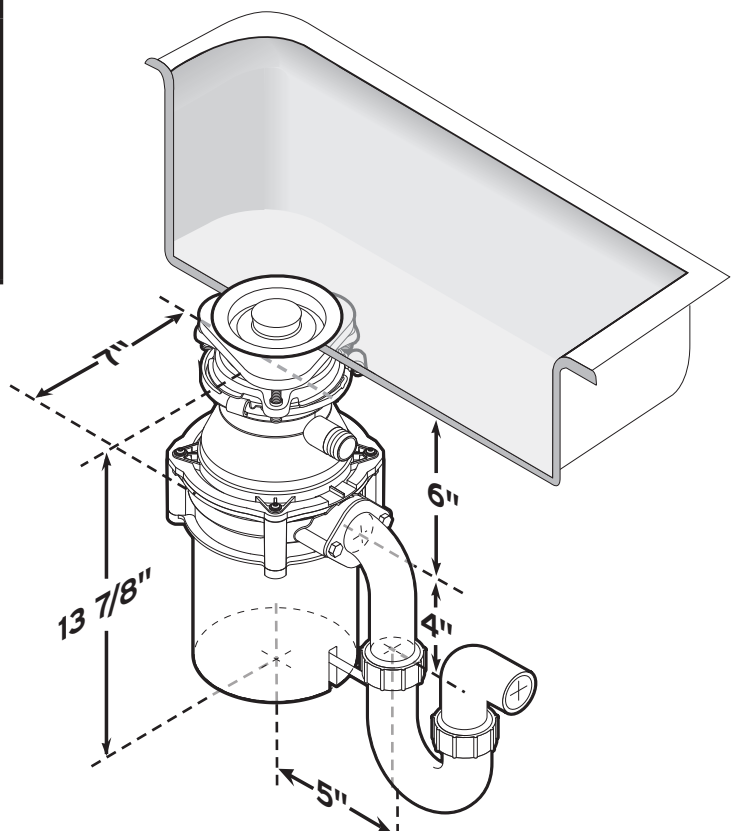
# Before You Begin



## WARNING

Read these instructions carefully. Failure to follow the Installation, Operating and User-Maintenance Instructions may result in personal injury or property damage.

## Dimensions



# Remove existing disposer



## WARNING

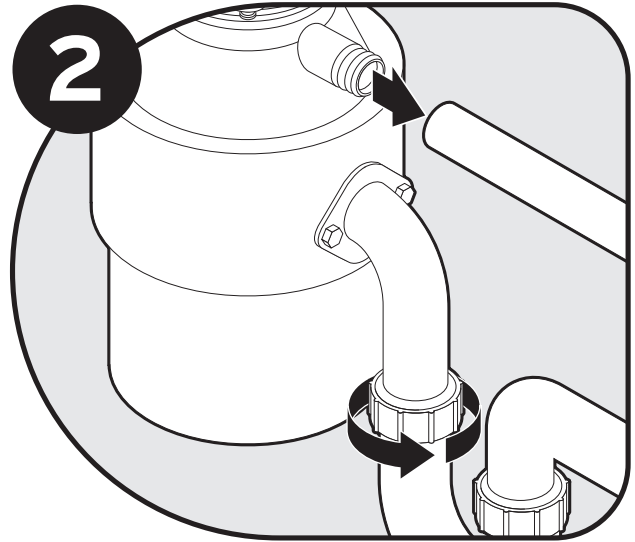
### SHOCK HAZARD

Turn off electric power at circuit breaker or fuse box.

**1**

If you are replacing an existing disposer, continue to Step 2.

If there is no existing disposer, disconnect sink drain and skip to Step 9.



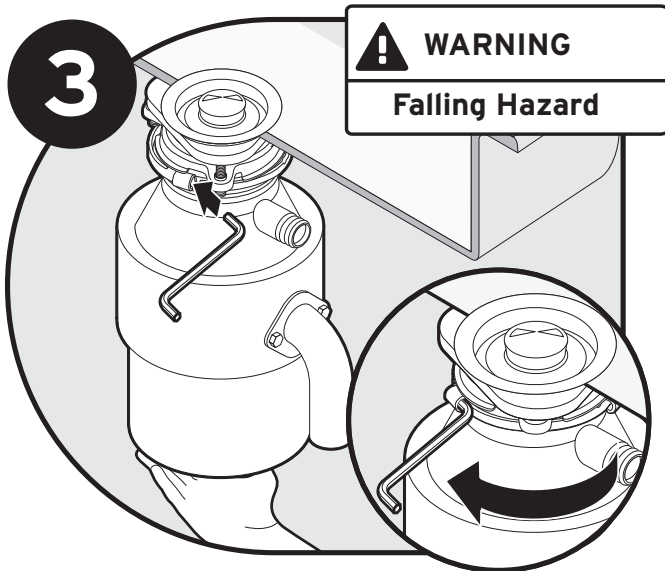
Turn off electrical power at circuit breaker or fuse box. Disconnect drain trap from waste discharge tube. Disconnect dishwasher if connected to the disposer.

**3**



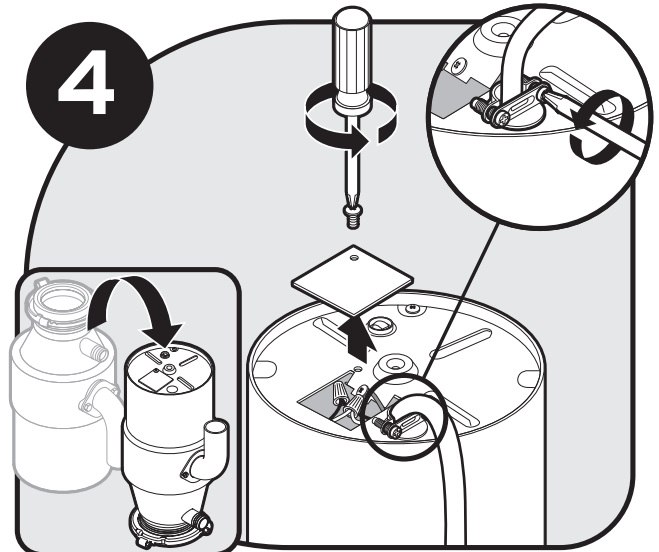
## WARNING

Falling Hazard



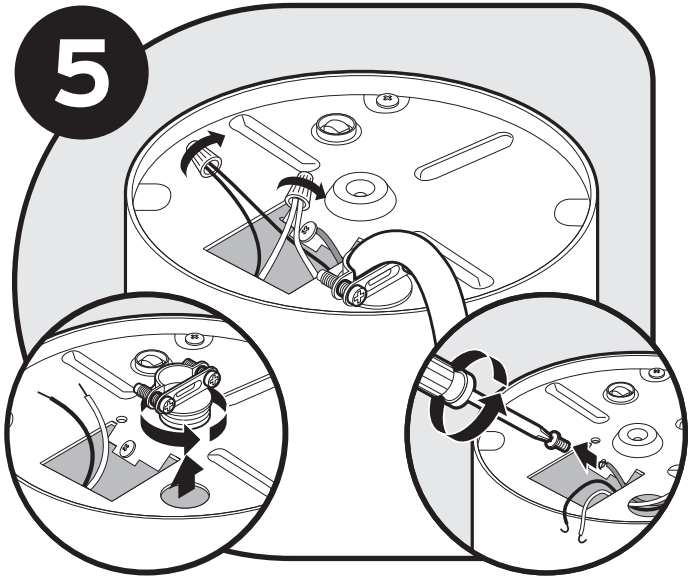
While supporting disposer, insert a 1/4" allen wrench or screwdriver into right side of mounting lug, and turn. Disposer will fall free.

**4**

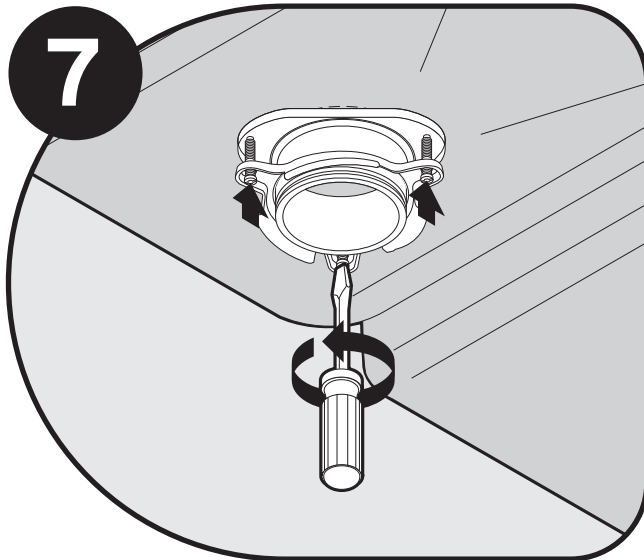
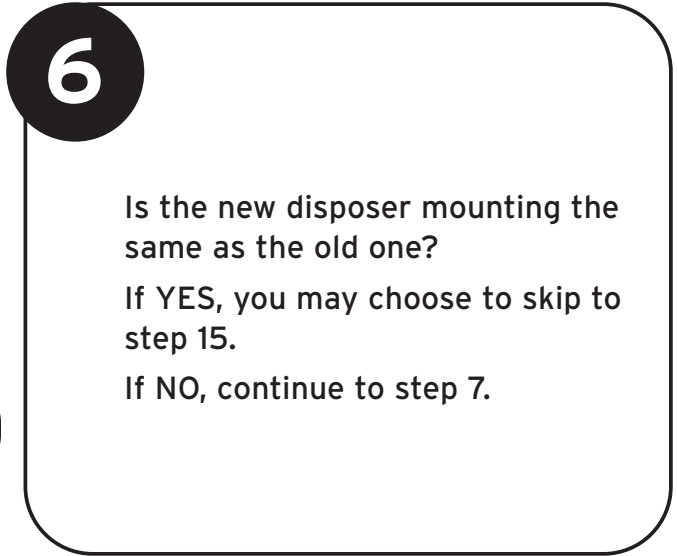


Flip disposer over and remove electrical cover plate.

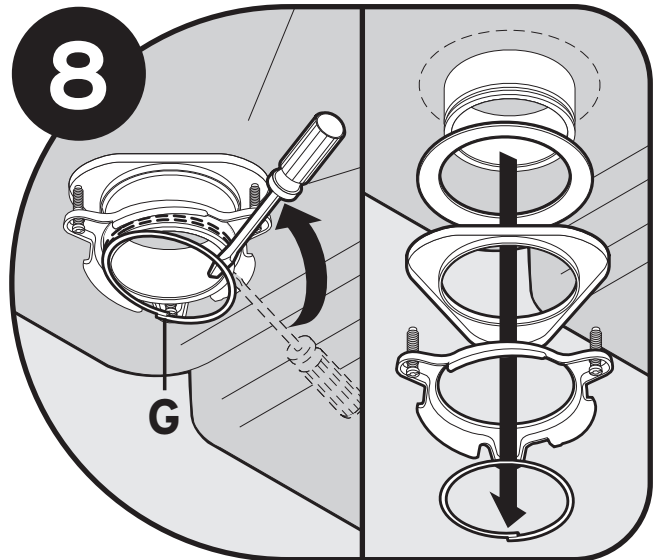
## Remove existing disposer



Disconnect the disposer wires from the electrical supply.

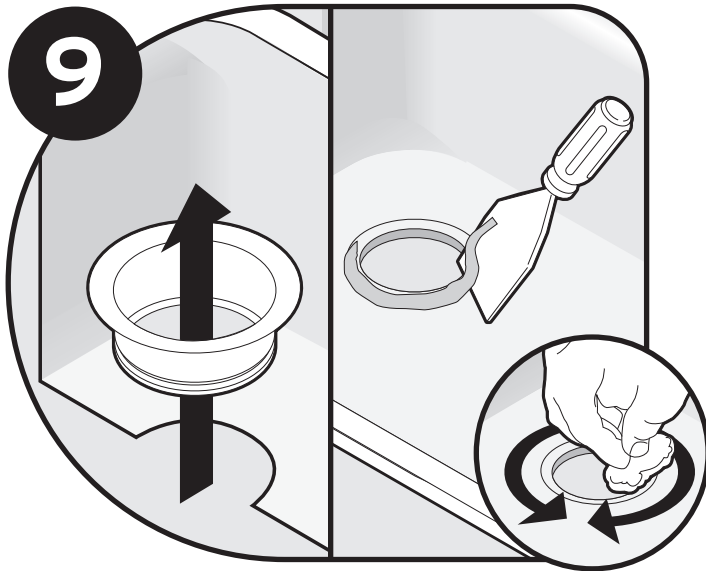


Using a flathead screwdriver, loosen the 3 screws on the mounting assembly.

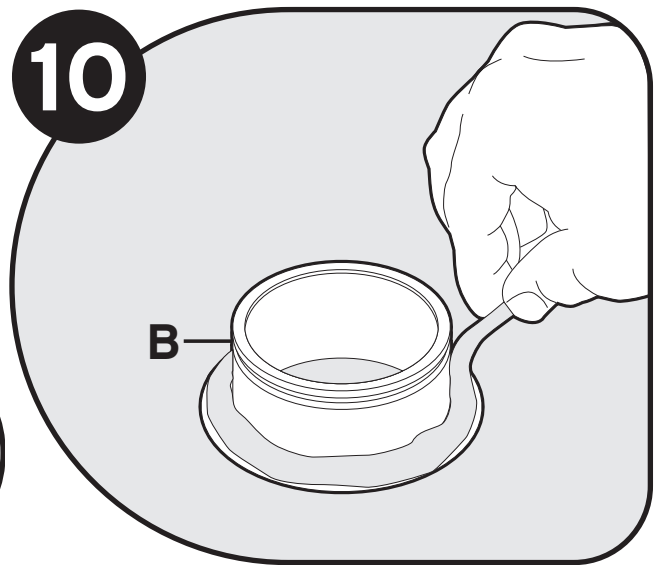


Using a flathead screwdriver, pry off the snap ring (G).

## Install flange in sink hole



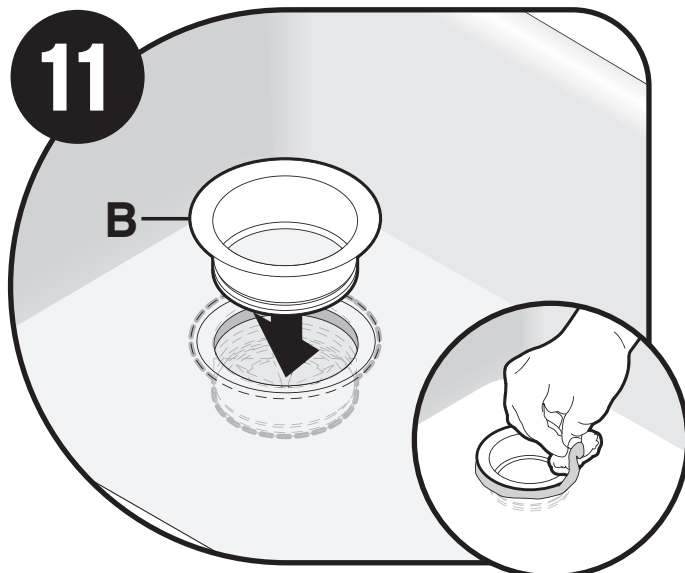
Remove flange from sink. Remove old plumber's putty from sink with putty knife.



Evenly apply 1/2" thick rope of plumber's putty around sink flange (B).

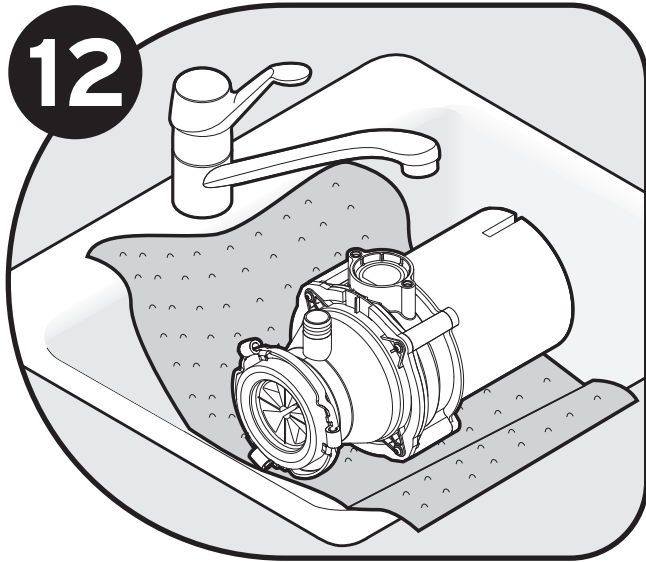
### **NOTICE**

**Property Damage:** Risk of long/short term water leakage if not properly assembled.

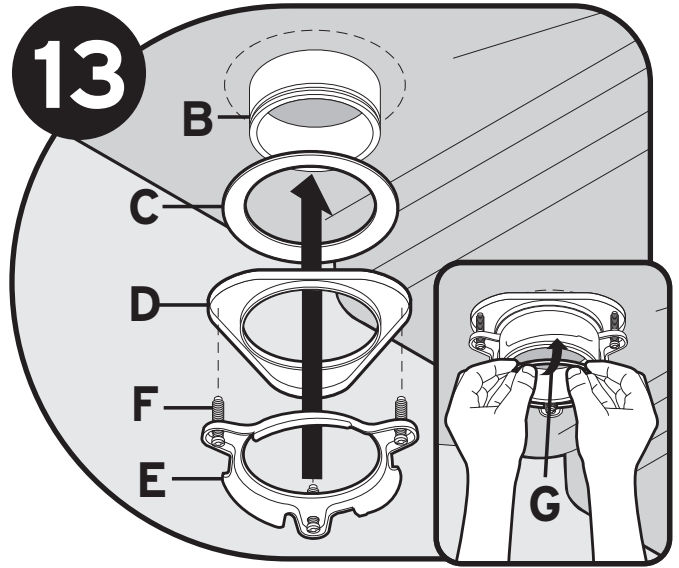


Press sink flange (B) firmly into sink drain. Remove excess putty.

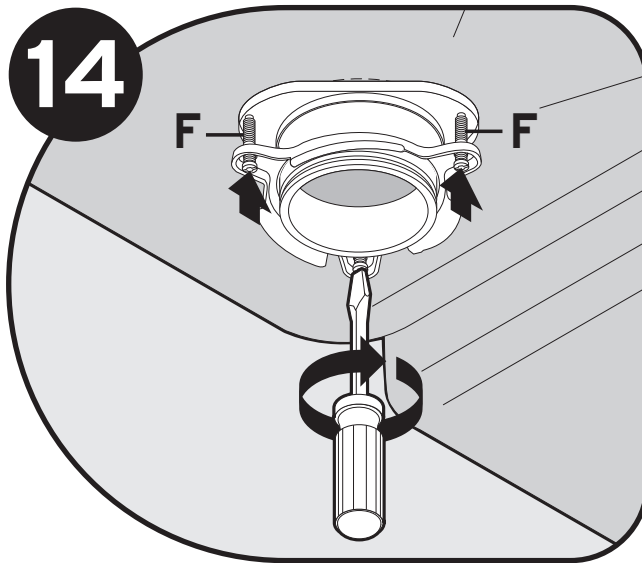
## Attach upper mounting assembly



Place a weight, such as the disposer, on the sink flange to hold it in place. Use a towel to avoid scratching sink.



Insert fiber gasket (C), backup flange (D) and mounting ring (E). Hold in place while inserting snap ring (G). Pull snap ring (G) open and press firmly until it snaps into place.



Tighten 3 mounting screws (F) evenly and firmly against backup flange.

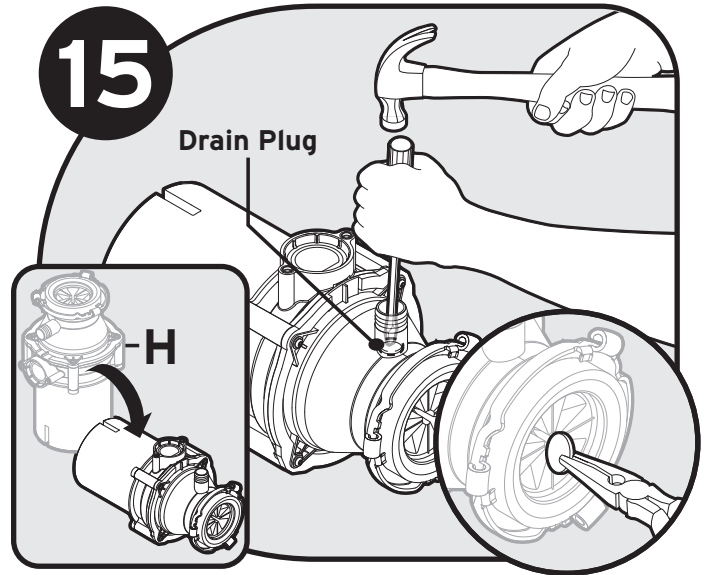


If not connecting a dishwasher, continue to step 16.

# Attach upper mounting assembly

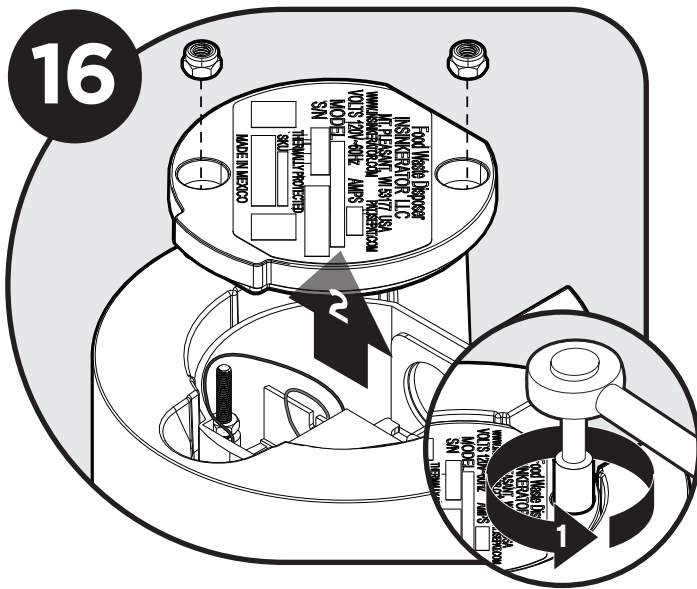
**IMPORTANT: Dishwasher connection only**

**NOTICE**  
If the dishwasher connection is made without removing the plug, the dishwasher may overflow.

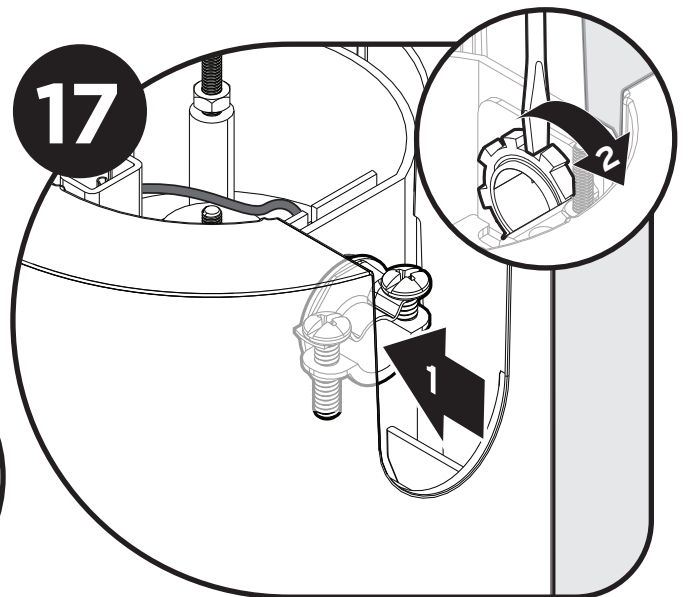


**NOTICE:** Drain plug cannot be replaced once it is knocked out. Turn disposer (H) onto side and knock out drain plug with screwdriver. Remove plug from inside of disposer with pliers.

# Connect to electrical supply (Proceed to step 22 for corded units)

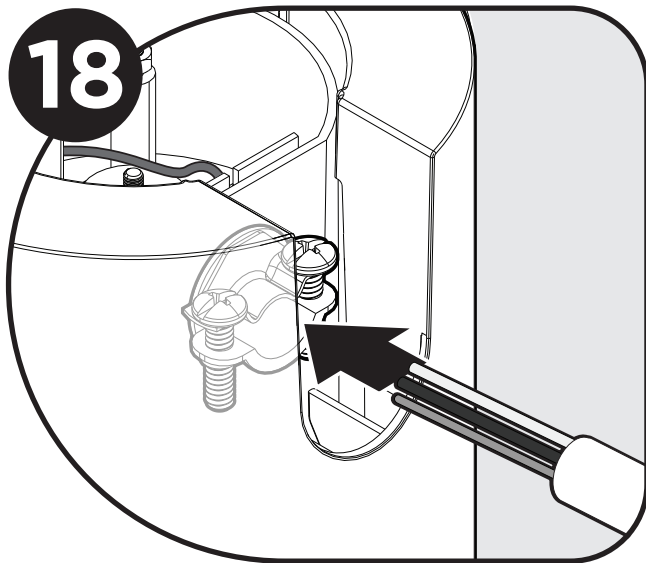


Remove bottom cap from motor by loosening top nuts with 7 mm socket wrench.

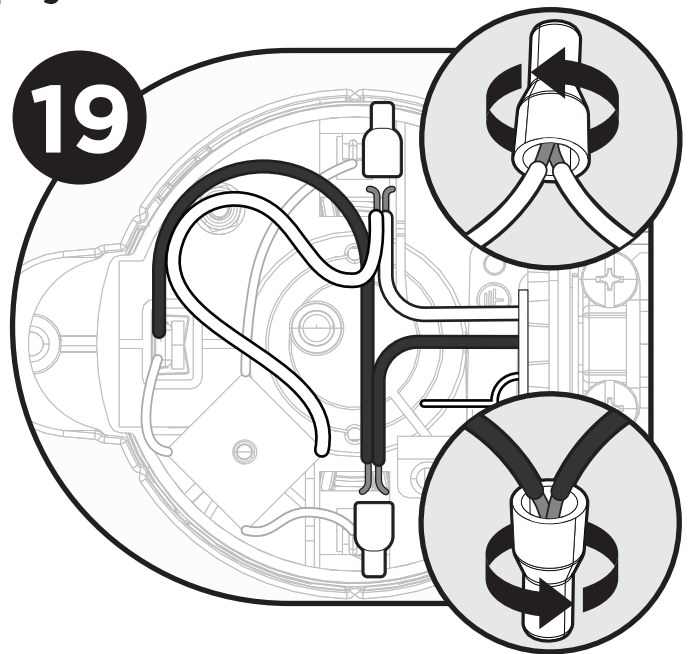


Install 3/8" metal cable connector securely and tighten using a screwdriver.

## Connect to electrical supply



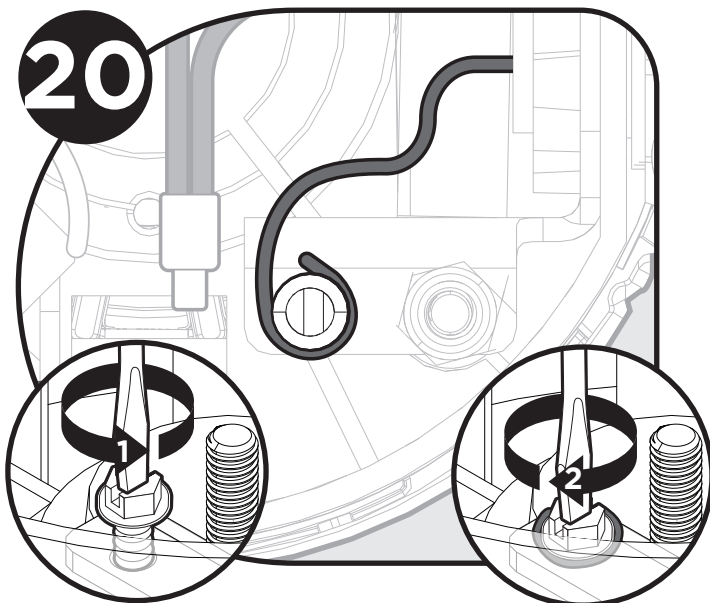
Feed power cable through metal cable connector.



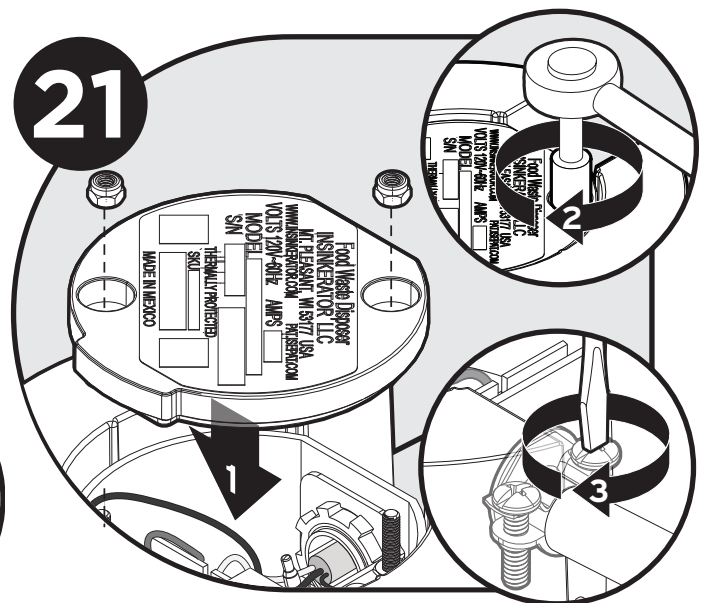
Using wire nuts, connect white (neutral) wires together. Then connect black (hot) wires together.

### **⚠ WARNING**

Improper grounding can result in electric shock hazard.

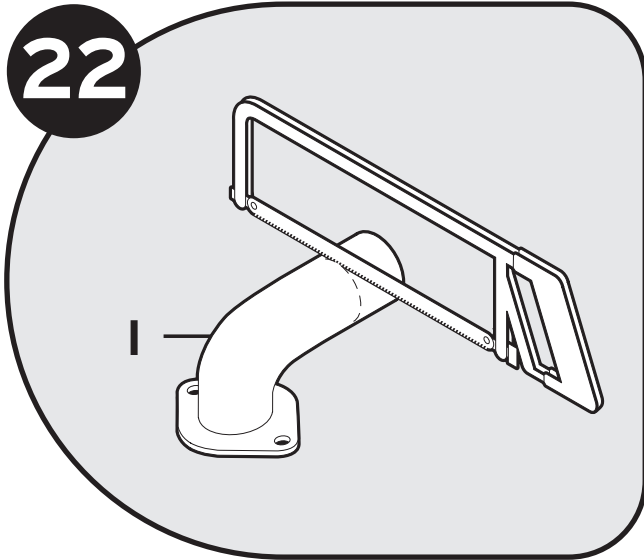


(1) Loosen green ground screw from grounding bracket. (2) Secure ground wire from power cable to grounding bracket using green ground screw and tighten.

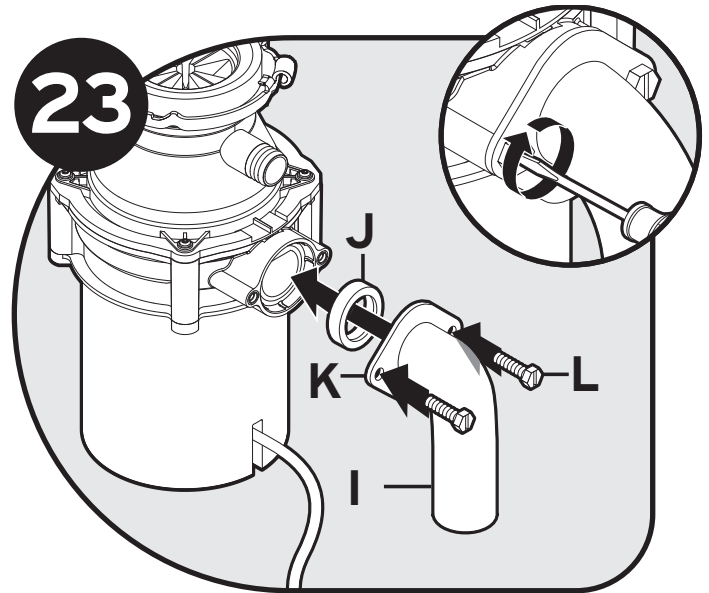


Tuck wires into lower end frame housing and reinstall the motor cap by securely tightening nuts. Do not overtighten. Secure power cord by tightening metal cable connector with screwdriver.

## Install discharge tube



You may need to trim discharge tube (I) to ensure proper fit.

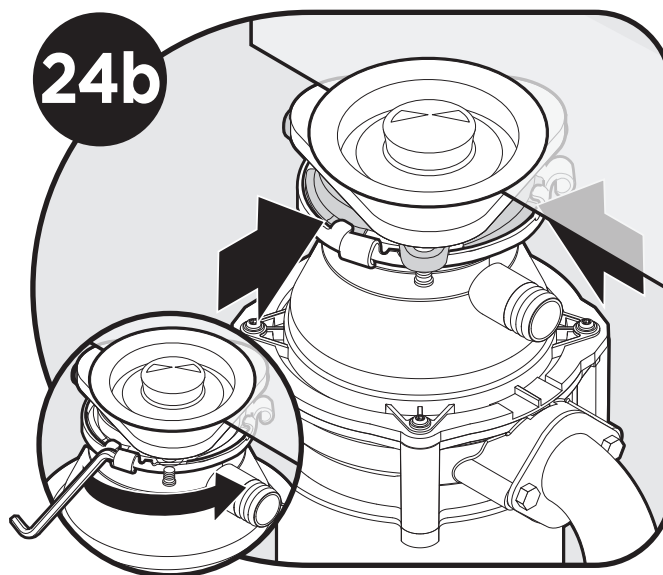
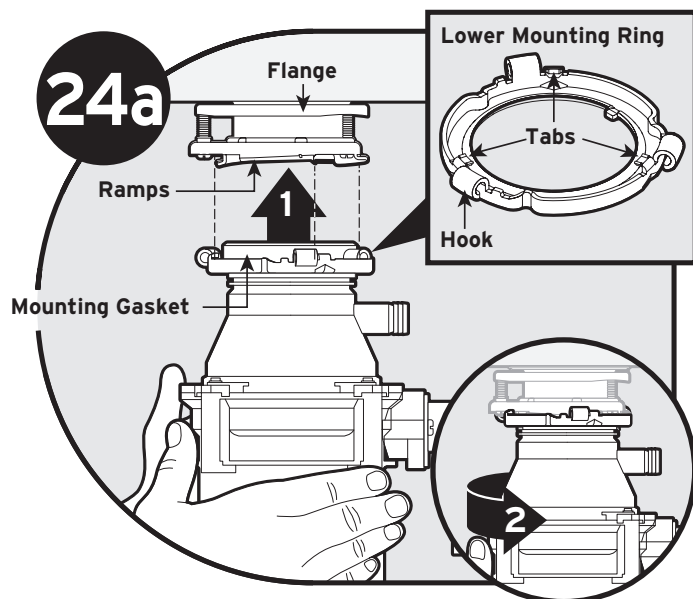


Slide flange (K) over discharge tube (I). Insert gasket (J) into discharge outlet. Secure flange and discharge tube to disposer with two bolts (L). Although the supplied discharge tube is preferred, a straight discharge tube may be used.

# Connect disposer to mounting assembly with Lift & Latch<sup>®</sup> and Complete Installation

## NOTE BEFORE INSTALLING THE DISPOSAL:

Lift & Latch Technology features a lower mounting ring that is fixed with a tab; the lower mounting ring will not turn freely on the disposal. (This is intentional for ease of installation and lifting the disposal with two hands). **Tip:** Review how the lower mounting ring tabs interact with the ramps on the bottom of the flange prior to install.



- 1** Lift the disposal to align with flange. Ensure all three (3) mounting tabs on the lower mounting ring are aligned with the lowest part of the three (3) ramps on the flange. Slightly push/compress the mounting gasket against the flange and turn the disposal to the right to slide up the ramps. Verify all three tabs are engaged on the flange ramps.

- 2** Once the lower mounting ring is secure on the flange ramps, the disposal will rotate freely. Rotate the disposal to the right and align with plumbing. Do not turn the disposal to the left as it could fall off the flange ramps.

Lock the flange in place by using a 1/4 inch Allen wrench or screwdriver for leverage. Insert the Allen wrench or screwdriver in one of the hooks. of the hooks on the lower mounting ring and turn right until all three tabs are over the ridges on the high side of the ramps.

**Tip:** Pliers (not included) can also be used to help secure the disposal on the ramps by clasping one end on a hook and the other end on one of the three lobes of the flange.

### ⚠ CAUTION

To avoid leaks and/or potential falling hazard, make sure all 3 mounting tabs are latched over ridges.

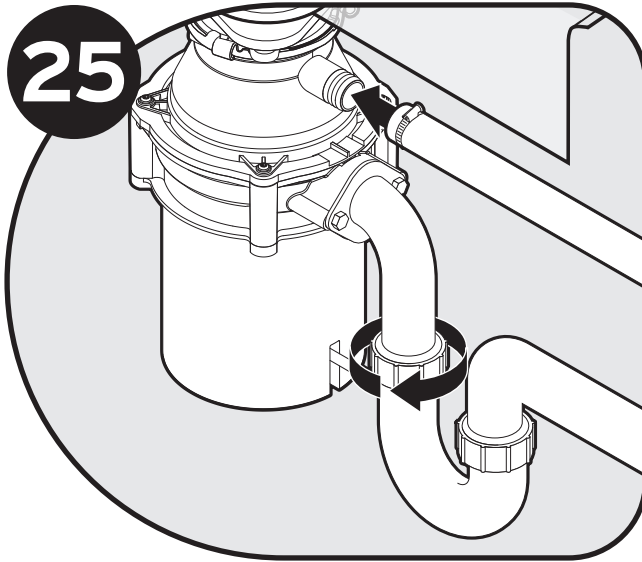
### ⚠ WARNING

Do not position your head or body under disposer; unit could fall during removal or installation.

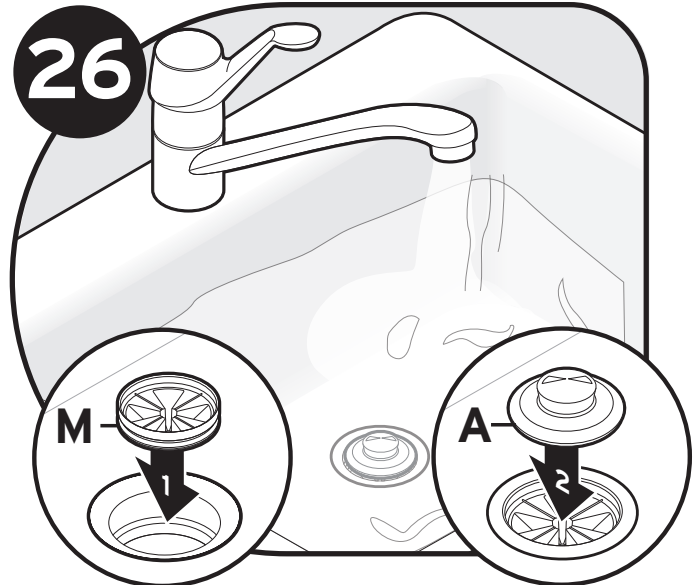
### NOTICE

**Property Damage:** Risk of long/short term water leakage if all three mounting tabs are not properly engaged on all slide-up ramps and locked in place past the ridges.

## Connect disposer to mounting assembly with Lift & Latch<sup>®</sup> and Complete Installation



Rotate disposer to align with plumbing and reconnect plumbing (and dishwasher reconnection if used.)



To test for leaks, insert (M) into (B), press down evenly until it snaps into place. Insert (A) into sink opening, fill sink with water, remove (A) to drain, then look under sink for leaking water.

### **NOTICE**

**Property Damage:** Risk of long/short term water leakage if not properly assembled.

You may need to trim tube for proper fit. To reduce the potential of leaking, the drain line must be properly pitched (not less than 1/4" of pitch per foot of run) from the disposer to the drain connection, with the drain connection being lower than the disposer discharge. Failure to do so could lead to premature corrosion or leaking due to standing water left in the disposer.

## INSTRUCTIONS PERTAINING TO RISK OF FIRE, ELECTRIC SHOCK, INJURY TO PERSONS OR DAMAGE TO PROPERTY

### IMPORTANT SAFETY INSTRUCTIONS

#### **WARNING**

**Personal Injury:** Do not position your head or body under disposer; unit could fall during removal or installation.

#### **GROUNDING INSTRUCTIONS**

**For all grounded, cord-connected disposers:**

This disposer must be grounded to reduce the risk of electric shock in the event of a malfunction or breakdown. Grounding provides a path of least resistance for electric current. The plug must be plugged into an outlet that is properly installed and grounded in accordance with all local codes and ordinances.

#### **WARNING**

Improper connection of the equipment-grounding conductor can result in a risk of electric shock. Check with a qualified electrician or serviceman if you are in doubt as to whether the disposer is properly grounded. If the plug you are using does not fit the outlet, do not modify the plug or attempt to force the plug into the outlet - have a proper outlet installed by a qualified electrician.

- This disposer must be properly grounded.
- Disconnect power before installing or servicing disposer.
- Plug must be inserted into three-hole grounded receptacle.
- All wiring must comply with local electrical codes.

#### **NOTICE**

- Do not use plumber's putty on any other disposer connection other than sink flange. Do not use thread sealants or pipe dope. These may harm disposer and cause property damage

#### **WARNING**

When using electric appliances, basic precautions are always to be followed, including:

- Read all instructions before using the appliance.
- To reduce the risk of injury, close supervision is required when an appliance is used near children.
- Do not put fingers or hands into a waste disposer.
- Turn the power switch to the off position before attempting to clear a jam, or removing an object from the disposer.
- When attempting to loosen a jam in a waste disposer, use a wooden spoon to dislodge jam.
- When attempting to remove objects from a waste disposer, use long-handled tongs or pliers.
- Do not put the following into a disposer: clam or oyster shells, caustic drain cleaners or similar products, glass, china, or plastic, metal (such as bottle caps, steel shot, tin cans, or utensils), hot grease or other hot liquids.
- When not operating a disposer, leave the stopper in place to reduce the risk of objects falling into the disposer
- This product is designed to dispose of normal household food waste; inserting materials other than food waste into disposer could cause personal injury and/or property damage.
- To reduce the risk of injury and/or property damage, do not use the sink containing the disposer for purposes other than food preparation (such as baby bathing or washing hair).
- Do not dispose of the following in the disposer: paints, solvents, household cleaners and chemicals, automotive fluids, plastic wrap.
- **FIRE HAZARD:** Do not store flammable items such as rags, paper or aerosol cans near disposer. Do not store or use gasoline or other flammable vapors and liquids in vicinity of disposer.
- **LEAK HAZARD:** Regularly inspect disposer and plumbing fittings for leaks, which can cause property damage and could result in personal injury.

**SAVE THESE INSTRUCTIONS**

## OPERATING INSTRUCTIONS

1. Remove stopper from sink opening and run cold water.
2. Turn on disposer.
3. Slowly insert food waste into disposer. **WARNING!** Position stopper to minimize possible ejection of material while grinding.
4. After grinding is complete, turn disposer off and run water for a few seconds to flush drain line.

### DO...

- First turn on cold water and then turn on the disposer. Continue running cold water for several seconds after grinding is completed to flush the drain line.
- Grind hard materials such as small bones, fruit pits, and ice. A scouring action is created by the particles inside the grind chamber.
- Grind peelings from citrus fruits to freshen up drain smells.
- Use a disposer cleaner, degreaser, or deodorizer as necessary to relieve objectionable odors caused by grease build-up.

### NOTICE

Failure to flush the disposer properly may result in damage to the disposer and/or property damage.

### DON'T...

- ***DON'T POUR GREASE OR FAT DOWN YOUR DISPOSER OR ANY DRAIN. IT CAN BUILD UP IN PIPES AND CAUSE DRAIN BLOCKAGES. PUT GREASE IN A JAR OR CAN AND DISPOSE IN THE TRASH.***
- Don't use hot water when grinding food waste. It is OK to drain hot water into the disposer between grinding periods.
- Don't fill disposer with a lot of vegetable peels all at once. Instead, turn the water and disposer on first and then feed the peels in gradually.
- Don't grind large amounts of egg shells or fibrous materials like corn husks, artichokes, etc., to avoid possible drain blockage.
- Don't turn off disposer until grinding is completed and only sound of motor and water is heard.



## USER MAINTENANCE INSTRUCTIONS

### CLEANING DISPOSER

Over time, food particles may accumulate in the grind chamber and baffle. An odor from the disposer is usually a sign of food buildup. To clean disposer:

1. Place stopper in sink opening and fill sink halfway with warm water.
2. Mix 1/4 cup baking soda with water. Turn disposer on and remove stopper from sink at same time to wash away loose particles.

### RELEASING DISPOSER JAM

If motor stops while disposer is operating, disposer may be jammed. To release jam:

1. Turn off disposer and water.
2. Dislodge any object(s) by rotating the turntable, in either direction, with a wooden spoon.
3. Remove wooden spoon. Reach into disposer with tongs and remove object(s).
4. Disposer is equipped with an automatic overload switch. If disposer is controlled by a wall switch, turn off wall switch and allow disposer to cool for a period of up to 20 minutes before turning back on. If disposer is controlled by a push button air switch, turn off and unplug disposer for a period of up to 20 minutes before plugging back in. (If motor remains inoperative, check service panel for tripped circuit breakers or blown fuses.)

## IN-HOME FULL SERVICE LIMITED WARRANTY ES30 - 2 YEARS ES50 - 4 YEARS

This limited warranty is provided by InSinkErator, LLC, ("InSinkErator" or "Manufacturer" or "we" or "our" or "us") to the original consumer owner of the InSinkErator product with which this limited warranty is provided (the "InSinkErator Product"), and any subsequent owner of the residence in which the Product was originally installed ("Customer" or "you" or "your").

InSinkErator warrants to Customer that your InSinkErator Product will be free from defects in materials and workmanship, subject to the exclusions described below, for the warranty period, commencing on the later of: (a) the date your InSinkErator Product is originally installed, (b) the date of purchase (or delivery if later), or (c) the date of manufacture as identified by your InSinkErator Product serial number. You will be required to show written documentation supporting (a) or (b). If you are unable to provide documentation supporting either (a) or (b), the Warranty Period commencement date will be determined by Manufacturer, in its sole and absolute discretion, based upon your InSinkErator Product serial number.

### What is Covered

This limited warranty covers defects in materials or workmanship, subject to the exclusions below, in InSinkErator Products used by a consumer Customer for residential use only, and includes all replacement parts and labor costs.

YOUR SOLE AND EXCLUSIVE REMEDY UNDER THIS LIMITED WARRANTY SHALL BE LIMITED TO REPAIR OR REPLACEMENT OF THE INSINKERATOR PRODUCT, PROVIDED THAT IF WE DETERMINE IN OUR SOLE DISCRETION THAT NEITHER REMEDY IS PRACTICABLE, WE MAY PROVIDE YOU A REFUND OF YOUR PURCHASE PRICE OR A CREDIT TOWARDS ANOTHER INSINKERATOR PRODUCT.

### What is not Covered

This limited warranty does not extend to and expressly excludes:

- Losses or damages or the inability to operate your InSinkErator Product resulting from conditions beyond the Manufacturer's control including, without limitation, accident, alteration, misuse, abuse, neglect, negligence (other than Manufacturer's), failure to install, maintain, assemble, or mount the InSinkErator Product in accordance with Manufacturer's instructions or local electrical and plumbing codes.
- Wear and tear expected to occur during the normal course of use, including without limitation, cosmetic rust, scratches, dents or comparable and reasonably expected losses or damages.

In addition to the above exclusions, this limited warranty does not apply to InSinkErator Products installed in a commercial or industrial application.

### Disclaimer of Warranties

THIS LIMITED WARRANTY IS THE SOLE AND EXCLUSIVE WARRANTY. NO OTHER EXPRESS WARRANTIES, WRITTEN OR VERBAL, AND NO IMPLIED WARRANTIES INCLUDING THE IMPLIED WARRANTIES OF MERCHANTABILITY AND FITNESS ARE GIVEN. No employee, agent, dealer, or other person is authorized to alter this limited warranty or make any other warranty on behalf of Manufacturer. The terms of this limited warranty shall not be modified by the Manufacturer, the original owner, or their respective successors or assigns.

### What we will do to Correct Problems

If your InSinkErator Product does not operate in accordance with the documentation provided to you, or you have questions

concerning your InSinkErator Product or how to determine when service is needed, please call the toll free InSinkErator AnswerLine® at 1 (800) 558-5700, or visit our website at [www.insinkerator.com](http://www.insinkerator.com). You may also notify us at: InSinkErator Service Center, 4700 21st Street, Racine, Wisconsin 53406 USA.

The following information must be provided as part of your warranty claim: your name, address, phone number, your InSinkErator Product model and serial number, and if necessary, upon request, written confirmation of either: (a) the date shown on your installation receipt, or (b) the date shown on your purchase receipt.

Manufacturer or its authorized service representative will determine, in its sole and absolute discretion, if your InSinkErator Product is covered under this limited warranty. You will be given the contact information for your closest authorized InSinkErator Service Center. Please contact your InSinkErator Service Center directly to receive in home warranty repair or replacement service. Only an authorized InSinkErator service representative may provide warranty service. InSinkErator is not responsible for warranty claims arising from work performed on your InSinkErator Product by anyone other than an authorized InSinkErator service representative.

If a covered claim is made during the Warranty Period, Manufacturer will, through its authorized service representative, either repair or replace your InSinkErator Product. Cost of replacement parts or a new InSinkErator Product, and cost of labor for repair or installation of the replacement InSinkErator Product are provided at no cost to you. Repair or replacement shall be determined by Manufacturer or its authorized service representative in their sole discretion. All repair and replacement services will be provided to you at your home. If Manufacturer determines that your InSinkErator Product must be replaced rather than repaired, the limited warranty on the replacement InSinkErator Product will be limited to the unexpired term remaining in the original Warranty Period.

This disposer is covered by Manufacturer's limited warranty. This limited warranty is void if you attempt to repair the InSinkErator Product. For service information, please visit [www.insinkerator.com](http://www.insinkerator.com) or call, toll free, 1-800-558-5700.

### Limitation of Liability

TO THE EXTENT PERMITTED BY LAW, IN NO EVENT SHALL MANUFACTURER OR ITS AUTHORIZED SERVICE REPRESENTATIVES BE LIABLE FOR ANY INCIDENTAL, SPECIAL, INDIRECT, OR CONSEQUENTIAL DAMAGES, INCLUDING ANY ECONOMIC LOSS, WHETHER RESULTING FROM NONPERFORMANCE, USE, MISUSE OR INABILITY TO USE THE INSINKERATOR PRODUCT OR THE MANUFACTURER'S OR ITS AUTHORIZED SERVICE REPRESENTATIVE'S NEGLIGENCE. MANUFACTURER SHALL NOT BE LIABLE FOR DAMAGES CAUSED BY DELAY IN PERFORMANCE AND IN NO EVENT, REGARDLESS OF THE FORM OF THE CLAIM OR CAUSE OF ACTION (WHETHER BASED IN CONTRACT, INFRINGEMENT, NEGLIGENCE, STRICT LIABILITY, OTHER TORT OR OTHERWISE), SHALL MANUFACTURER'S LIABILITY TO YOU EXCEED THE PRICE PAID BY THE ORIGINAL OWNER FOR THE INSINKERATOR PRODUCT.

The term "consequential" damages shall include, but not be limited to, loss of anticipated profits, business interruption, loss of use or revenue, cost of capital or loss or damage to property or equipment.

Some states do not allow the exclusion or limitation of incidental or consequential damages, so the above limitation may not apply to you. This limited warranty gives you specific legal rights and you may also have other rights which vary from state to state.