



The Next Necessity™

Instant Hot Water Dispensers

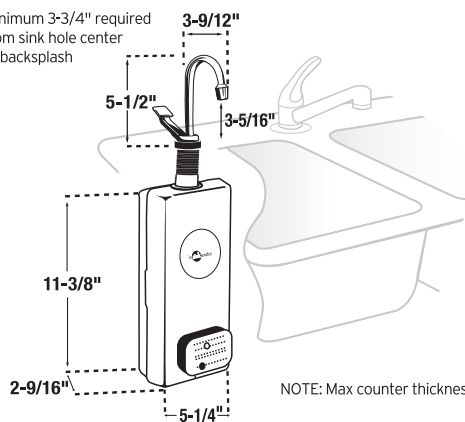
Model Hot1

One-piece construction for easy installation



Dimensions

Minimum 3-3/4" required from sink hole center to backsplash



NOTE: Max counter thickness is 2".

Submittal Sheet

- **Hot Only** - 1/3-gallon tank delivers 40 cups of near-boiling 190°F water per hour
- 1-Year We Come To You™ In-Home Service Warranty*
- 115 volts, 500 watts, 4.3 amps
- Available in polished stainless steel with black handle

Sample Specification

Instant hot water dispenser(s) shall be InSinkEerator Model Hot1 with adjustable temperature from 160°F to 200°F and instant, self-closing hot valve.

Warranty:

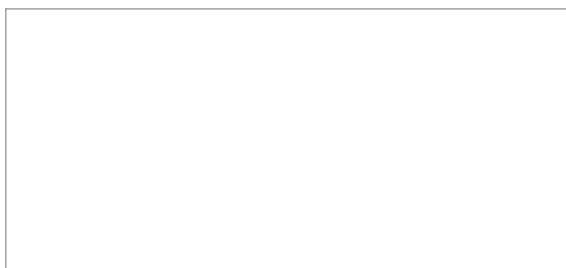
1-year parts and in-home service.

* The complete InSinkEerator warranty is included in the Care & Use booklet packed with each unit.

Specifications

| | |
|-----------------------------|---|
| Capacity | 1/3-gallon copper tank dispenses 40 cups of 190°F water per hour |
| Electrical | 115 volts A.C., 500 watts, 4.3 amp heating element with grounded three (3) prong plug |
| Thermostat | Snap-action, adjustable from 160°F to 200°F (factory pre-set at 190°F) |
| Valve | Instant, self-closing |
| Recommended Supply Pressure | 30-125 psi |
| Shipping Weight | Approximately 4 lbs. |
| Required Hole Diameter | 1-1/4" - 1-1/2" standard sink hole |

Job Specifications



1-800-558-5700
www.insinkerator.com

Printed in USA



EMERSON™
Appliance Solutions

The Emerson logo is a trademark and service mark of Emerson Electric Co.

InSinkEerator may make improvements and/or changes in the specifications at any time, in its sole discretion, without notice or obligation and further reserves the right of change or discontinue models.

© 2009 InSinkEerator, a division of Emerson Electric Co. All Rights Reserved.