



# MODEL H778 Hot Water Dispenser

**APPLICATION:** Designed for large volume usage of steaming hot water. Up to 100 cups of 200° hot water per hour are provided by the system's 2/3-gallon tank. Saves time, work and water – you only heat the water you use.

## FEATURES

- Foodservice grade heating element provides 100 cups of near-boiling water per hour
- Traditional twist-handle operation
- Chrome-plated faucet completely insulated from 200°F water
- Elevated spout provides access for large vessels
- 2/3-gallon Stainless Steel Tank construction for longer life
- Easy-to-adjust temperature control on front panel
- Mounts in standard sink opening or 1-1/4" drilled hole
- Tool-free tank connections and dry start protection for easy installation
- 1-year full warranty on parts and labor

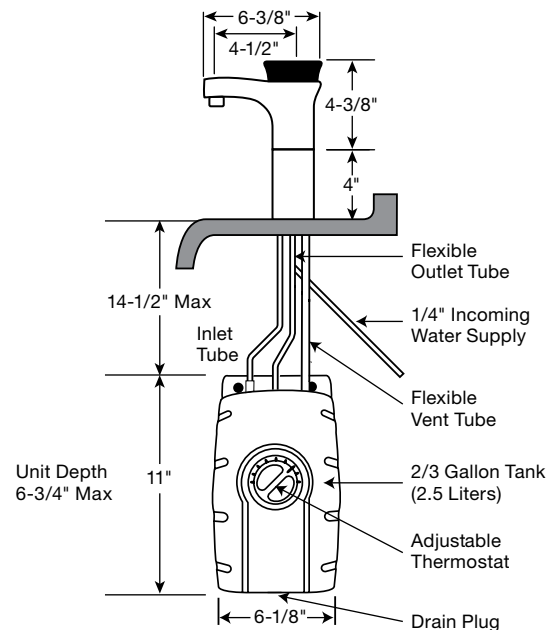


## SPECIFICATIONS

<b>Capacity</b>	2/3-gallon tank dispenses 100 cups of 200°F water per hour
<b>Electrical</b>	120 Volts A.C., 1300 Watts, 10.8 amp heating element with 36" cord and grounded plug
<b>Thermostat</b>	Snap action, adjustable from 160°F to 210°F (factory pre-set at approximately 200°F)
<b>Insulation</b>	Meets U.L. 94HF-1 flammability specification
<b>Valve</b>	Instant, self-closing
<b>Recommended Supply Pressure</b>	30-125 psi
<b>Shipping Weight</b>	Approximately 9.5 lbs.

To ensure optimum performance, maximum distance between tank and base of faucet should be 14-1/2" or less.

## DIMENSIONS



Our products appear on **The KCL CADalog** CD-ROM based CAD Foodservice Symbol Library. More information is available from **Kochman Consultants, Ltd.** at [www.kclcad.com](http://www.kclcad.com).



1.800.845.8345  
[www.insinkerator.com/foodservice](http://www.insinkerator.com/foodservice)